

BVF ADELIG Series

smart mirror

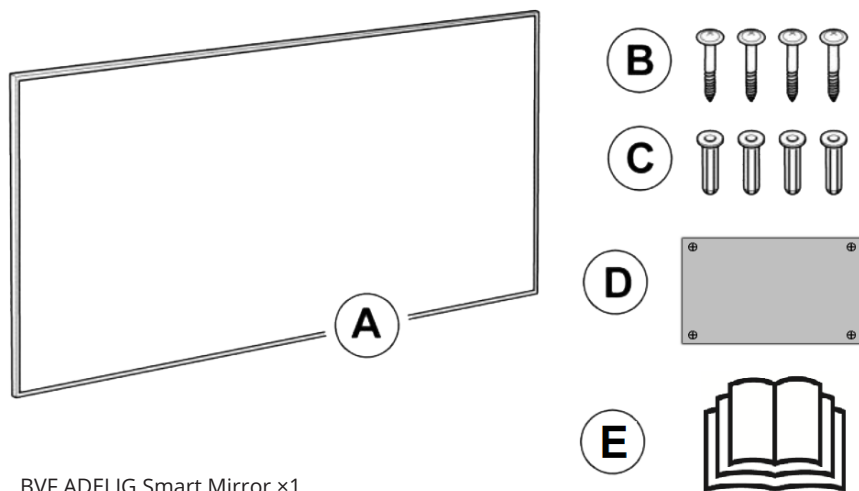


**user
manual**

READ BEFORE USE

- Please read the instructions carefully before attempting to install, operate or service the product.
- Please retain this booklet for future reference.

SCOPE OF DELIVERY



- A:** BVF ADELIG Smart Mirror ×1
B: Screw ×4
C: Dowel ×4
D: Drill template ×1
E: Manual ×1

CONTENTS

Product Introduction.....	3
Safety Introduction	3
Product Information	5
Installation	6
Operation	7
Weather display operating instructions	7
Troubleshooting	7

PRODUCT INTRODUCTION

A BVF ADELIG Smart mirror is a bathroom wall mirror with some utility functions include:

- LED illuminant
- displaying weather/calendar/temperature & humidity
- heating and defogging function

For more detailed product information, visit our bvfheating.com manufacturer's website.

SAFETY INTRODUCTION

Read this manual carefully before starting or using the device. Always store the manual in the immediate vicinity of the device or its site of use!



WARNING

Do not ceiling mount those devices designed for wall only!
 Or else it may cause burning, fire and falling off risk!

WARNING

This appliance can be used by children aged from 8 years and above and persons with reduced physical, sensory or mental capabilities or lack of experience and knowledge if they have been given supervision or instruction concerning use of the appliance in a safe way and understand the hazards involved.

Children shall not play with the appliance. Cleaning and user maintenance shall not be made by children without supervision.

Children of less than 3 years should be kept away unless continuously supervised.

Children aged from 3 years and less than 8 years shall only switch on/off the appliance provided that it has been placed or installed in its intended normal operating position and they have been given supervision or instruction concerning use of the appliance in a safe way and understand the hazards involved.

Children aged from 3 years and less than 8 years shall not plug in, regulate and clean the appliance or perform user maintenance.

Do not use the device in small rooms if persons are present who cannot leave the room independently and who are not under constant supervision.



WARNING

Some parts of this product can become very hot and cause burns. Particular attention has to be given where children and vulnerable people are present. Its dangerous of installation close to curtains and other combustible materials. To avoid the possibility of burns, the following people should be much more careful when using the heaters: infants and kids, people with sensitive skin, the old, the sick, people who is drunk, people who takes sleeping pills.

- Remove all the blue protective films (both on the front and on the back) before using.
- Be sure the usage voltage is between 110-240V, 50Hz, and power supply has been strictly in accordance with IEC, left is null wire and right is live wire, and also well grounded.
- The devices will draw more current than small appliances, so a separate 5A socket is required.
- Do not use the device in potentially explosive rooms.

- Do not use the device in aggressive atmosphere.
- Set the device up in an upright and stable position.
- Let the device dry out after a wet clean. Do not operate it when wet.
- Do not use the device with wet or damp hands.
- Do not expose the device to directly squirting water.
- Never insert any objects or limbs into the device.
- Do not cover or transport the device during operation.
- Do not sit on the device.
- This appliance is not a toy! Keep away from children and animals. Do not leave the device unattended during operation.
- Check accessories and connection parts for possible damage prior to every use of the device. Do not use any defective devices or device parts.
- Ensure that all electric cables outside of the device are protected from damage (e.g. caused by animals). Never use the device if electric cables or the power connection are damaged!
- The electrical connection must be according to the specifications in chapter Technical data.
- Insert the mains plug into a properly secured mains socket.
- Do not use the device when the socket or wire overloaded.
- Observe the device's power input, cable length and intended use when selecting extensions to the power cable. Completely unroll extension cables. Avoid electrical overload.
- Before carrying out maintenance, care or repair work on the device, remove the mains plug from the mains socket. Hold onto the mains plug while doing so.
- Switch the device off and disconnect the power cable from the mains socket when the device is not in use.
- Do not under any circumstances use the device if you detect damages on the mains plug or power cable. If the supply cord is damaged, it must be replaced by the manufacturer, its service agent or similarly qualified persons in order to avoid a hazard. Defective power cables pose a serious health risk.
- During the installation of the device observe the minimum distances from walls and other objects as well as the storage and operating conditions specified in the Technical data chapter.
- Never drill into the heating device.
- Do not use the device once any damage found on the glass or mirror surface.
- Do not use the device in immediate proximity to curtains.
- Do not place the device on combustible ground.
- Do not transport the device during operation.
- Do not touch the surface during the device working to avoid burns.
- Allow the device to cool down before transport and / or maintenance work.
- Do not use this device near bathtubs, shower trays, swimming pools or other water containers. Risk of electric shock!
- The device must be placed where the switches and controllers cannot be touched by a person in a bathtub or shower.
- Do not place any objects, e.g. clothing, on the device.
- Do not use the device outdoors. Do not place the device on wet or flooded ground.
- Do not unplug by pulling on the cable. To unplug, grasp the plug, not the cable.
- Do not stretch the cable or place the cable under strain.
- Keep cable away from heated surfaces.

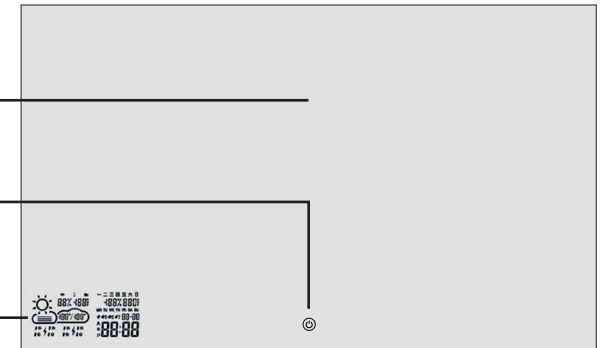


- Do not run the cable under carpeting. Do not cover the cable with throw rugs, runners, or similar coverings. Do not route the cable under furniture or appliances. To avoid a tripping hazard arrange the cable away from traffic areas so that it will not be tripped over.
- Do not use on soft surfaces, such as a bed, where openings may become blocked.
- Keep combustible materials, such as furniture, pillows, bedding, papers, clothes and curtains, at least 0.9m (3 feet) from the front of the appliance and keep them away from the sides and rear when the appliance is plugged in.
- If there is a loose fit between the plug and the socket or the plug becomes very hot, the socket may need to be replaced. Check with a qualified electrician to replace the socket.
- Turn off all controls before unplugging. Unplug before connecting any tool or accessory.
- Allow the device to cool down before transport or maintenance work.
- Do not privately disassemble the device or replace parts, otherwise it may cause mechanical failure, electric shock, fire or body injury.
- The warranty is not applicable for the product fault caused by private disassembly.

PRODUCT INFORMATION

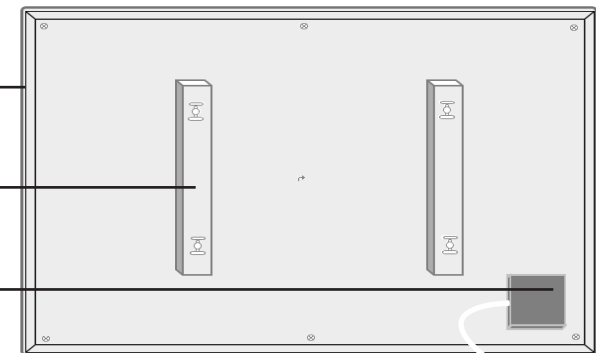
Front

- Mirror Surface
- Touch Switch
- Display Screen



Back

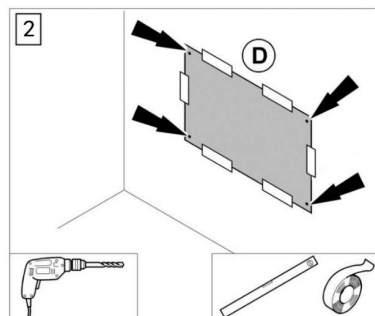
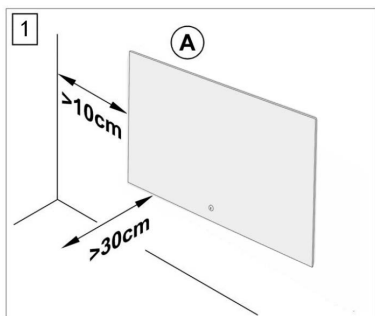
- LED Strip Light
- Mounting Brackets
- Temperature / Humidity Sensor



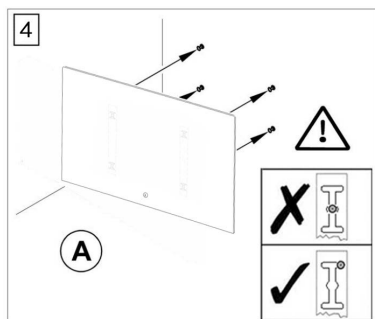
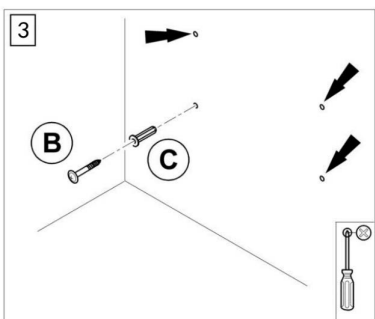
	BVF ADELIG 200	BVF ADELIG 350
Size	600*600*44mm	600*1000*44mm
Net Weight	7,2 kg	12,2 kg
Rated Voltage	230V 50Hz	
Heating Power	200W	350W
LED Power	10W	13W

INSTALLATION

1. Choose the mounting position, keep the required minimum distances.
2. Mark the positions for the bore holes onto the drilling template (D) if there are no existing marks. Stick the drilling template on the wall.



3. Drill the holes. Insert the screws into the dowels and fasten the screws. The screws should protrude approx. 1.5 cm from the dowels.
4. Tear off the back protective film, Hang the mirror (A) on the screws and move it to one direction.



Note: please tear off the front and back protective film once you start using the device.

OPERATION

1. Plug in power.
2. The backlight of the touch button is in the active (lighted white) status.
3. Single-click the touch button, the surrounding LED lights up; Single-click again, the light goes off.
4. Double-click the touch button, the weather display screen is turned on; Double-click again to close.
Note: Weather display needs to be configured in advance, please check the following instruction.
5. Long press the touch button to turn on the heating or defogging function, the white backlight of the touch button changes to blue; Long press again to turn off heating/defogging.

WEATHER DISPLAY OPERATING INSTRUCTIONS / TROUBLESHOOTING

For up-to-date information please visit the website or scan the QR code below.



bvfheating.com/adelig

bvfheating.com

CE