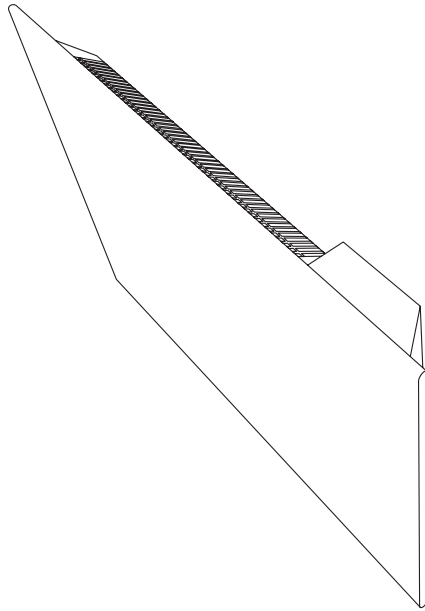




SMART HEATING PANELS BY BVF

# SMART PANEL HEATER

## user manual




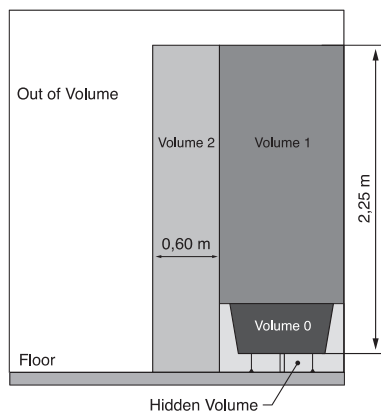
## CONTENTS

Safety advice.....	2
Installation .....	3
How to use .....	5
WiFi configuration and video tutorials .....	7
Cleaning and maintenance .....	7

## SAFETY ADVICE

### READ THIS NOTICE CAREFULLY BEFORE OPERATING THE APPLIANCE.

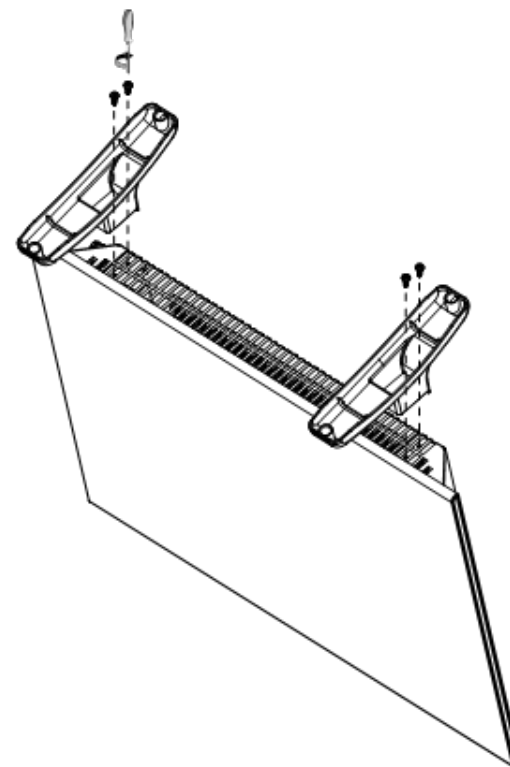
- This appliance can be used by children aged from 8 years and above and persons with reduced physical, sensory or mental capabilities or lack of experience and knowledge if they have been given supervision or instruction concerning use of the appliance in a safe way and understand the hazards involved. Children shall not play with the appliance. Cleaning and user maintenance shall not be made by children without supervision.
- Children of less than 3 years should be kept away unless continuously supervised.
- Children aged from 3 years and less than 8 years shall only switch on/off the appliance provided that it has been placed or installed in its intended normal operating position and they have been given supervision or instruction concerning use of the appliance in a safe way and understand the hazards involved. Children aged from 3 years and less than 8 years shall not plug in, regulate and clean the appliance or perform user maintenance.
- **CAUTION - Some parts of this product can become very hot and cause burns. Particular attention has to be given where children and vulnerable people are present.**
- If the supply cord is damaged, it must be replaced by the manufacturer, its service agent or similarly qualified persons in order to avoid a hazard.
- **CAUTION** - In order to avoid a hazard due to inadvertent resetting of the thermal cutout, this appliance must not be supplied through an external switching device, such as a timer, or connected to a circuit that is regularly switched on and off by the utility.
- **WARNING** - In order to avoid overheating, do not cover the heater.
- The heater must not be located immediately below a socket-outlet. 
- Do not use this heater in the immediate surroundings of a bath, a shower or a swimming pool.
- Always use your appliance with rollers or feet fixed.
- Fixed heaters are to be installed so that switches and other controls cannot be touched by a person in the bath or shower.
- Warning: this product shall be installed in the volume 2 only according the national wiring rules (For France NF C 15-100).
- **Note** - The drawing below is for reference only.
- We suggest that you contact a professional electrician for assistance.



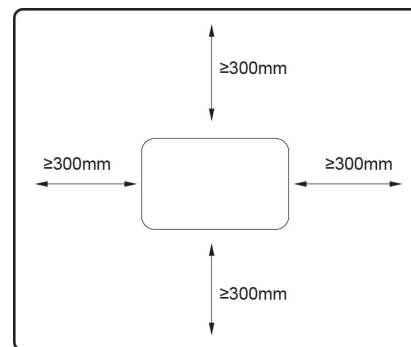
## INSTALLATION

### Optional stand feet

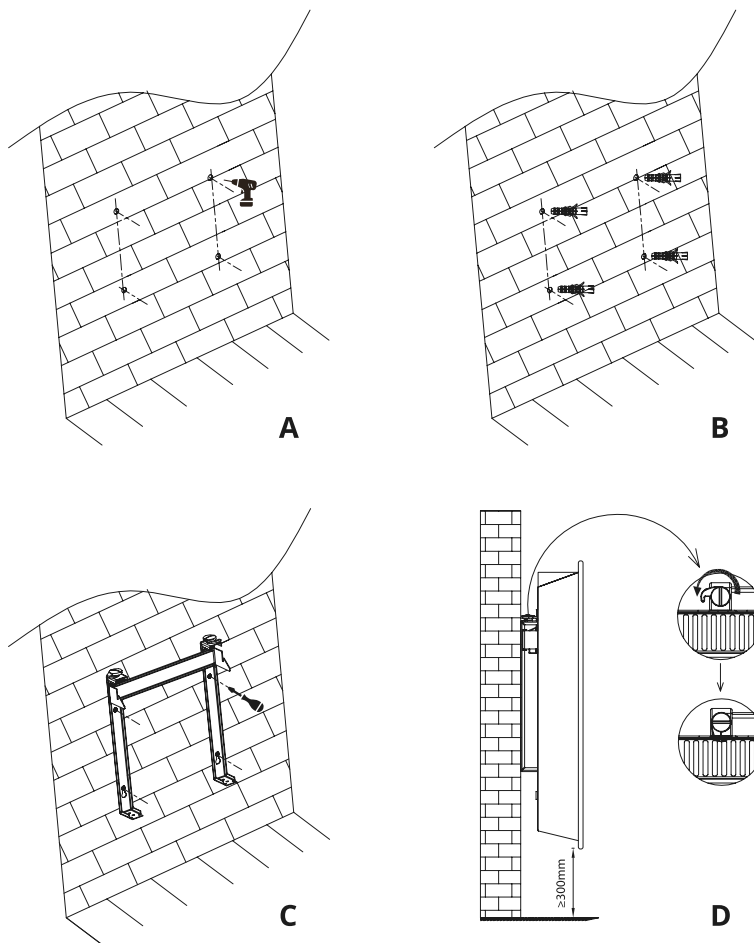
Put the heater on a flat, dry and clean surface. Install the feet as shown on the below drawing.



### Wall mounting



**Make sure that the distance from walls and objects is respected.**



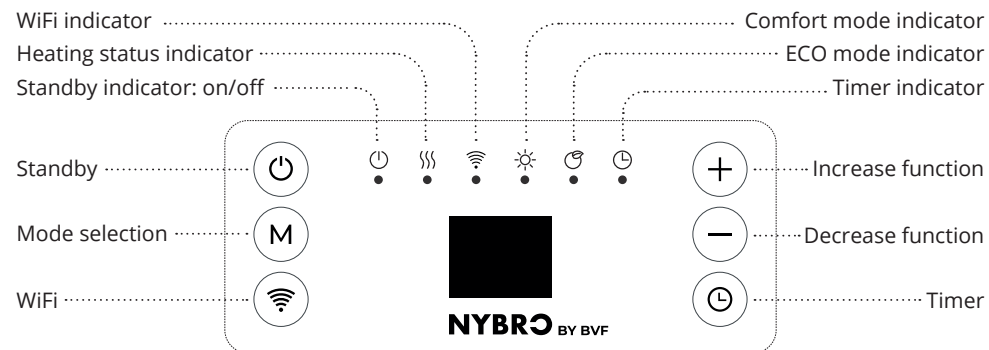
**Warning!** Be sure to keep the distance between the heater and floor, wall and so on at least 30cm.

**Warning!** When drilling holes, always check to ensure there is no wiring, pipework, etc. in the area to be drilled.

- A. Put the hanging rack on the wall as a guide ruler (please make sure the holes at parallel level), use a mark pen to mark the hole position.
- B. Drill holes on the wall with Ø 8mm drill bit and insert the plastic wall plug.
- C. Fasten the hanging rack on the wall with the screws, do make sure the hanging rack is in correct direction.
- D. Gently insert the heater body of the bottom to the hanging rack first and then push the heater body to be hooked on the whole hanging rack.

**Warning!** Before plugging in the unit make sure the radiator is properly attached to the wall. Otherwise problems can occur.

## HOW TO USE



1. Plug the appliance to the socket, and press down the on/off switch. The standby indicator light is on.
2. Press to turn on the heater, which is in state of factory default when first time use.  
Factory default: *Heating mode: comfort mode | Target temperature setting: 22°C*  
*Date: 1(Monday); Time: 00:00 (Off) | Window open function: Off | Timer: Off*  
*If default settings are different, it will simply because the unit has been quality tested after production.*
3. To stop the heater working, press to turn off the heater. Unplug the product when it's not in use.

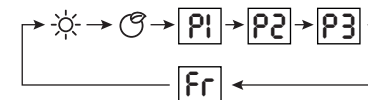
### Clock and day of week setting

1. Press down 3 secs to enter clock and day of week setting.
2. The screen display , press and to select the day from 1-7.  
*1: Monday, 2: Tuesday, 3: Wednesday etc.*
3. Press to confirm day setting and enter the clock hour setting, with the screen display .
4. Press and to set the current hour.
5. Press to confirm hour setting and enter the minute setting, with the screen display .
6. Press and to set the current minute.
7. Press to confirm settings.

**Note:** The clock and calendar will be reset to factory default if without power supply.

### Heating mode

- Press to enter mode selection. By pressing , heating mode runs in a continuous cycle:



Comfort mode: press and to set the temperature from 5-35°C.

ECO mode: press and to set the temperature from 1-31°C.  
*Note: ECO mode = Comfort mode - 4°C*

Pre-set heating program.

*Note: If the clock and day setting are not finished, the first time to enter P1/P2/P3 program setting, it is requested to set day and clock setting in advance.*

Anti-frost mode: the target temperature is 7°C. The temperature can't be adjusted.

## Default program schedules

P1: (Monday-Sunday) Unadjustable program



P2: (Monday-Friday) Unadjustable program



P2: (Saturday-Sunday) Unadjustable program



P3: (Monday-Friday) Adjustable program



P3: (Saturday-Sunday) Adjustable program



## P3 adjustable program setting

1. When under **P3** mode, press **M** over 3 secs to enter day setting.
2. The screen displays **d1**, press **+** and **-** to set from **d1** - **d7** (Monday-Sunday).
3. Press **M** to confirm and enter hour setting, the screen displays **00**.
4. Press **+** and **-** to set from 00-23.
5. Press **M** to choose heating mode for every hour (Comfort mode: ☀, ECO mode: ☾, Anti-frost mode: neither of 2 lights are illuminated).
6. Repeat the operation until you have completed the schedule of every hour and every day.

**Note:** After setting heating mode for hour 23, press **+** to come back to day setting.

**Note:** when screen displays **d7**, press **+** finish all setting with display of **P3**.

## Timer off function

1. Press **⏸** one time, the screen display **0H** and keeps flashing.
2. Press **+** and **-** to set timer from 0-24 hours.
3. Press **⏸** again to confirm setting, the *timer indicator* light is on.

## Open window function

- When the product is in status of stand-by, long press **M** the screen display **0H** or **0F**, press **+** or **-** to set the open window function on or off.
- When the heater is under working, the temperature of environment decrease 2 degrees within 2 minutes, the open window function will be activated, the heater will stop working. The screen will display **E3**, press **M** to get back working.

## Sensor calibration

1. When in stand-by mode, long press **M** and **+** buttons together for 3 seconds
2. The screen will display the current temperature which the heater read from it's sensor.
3. Press **+** or **-**, to make the temperature as the right temperature you read from other device (room thermometer).  
*For example, the heater displays 20 degrees, but the exact right room temperature is 22 degrees, then press **+** to make it into 22, done.*
4. To save the calibration of the sensor press **M** button.

**Notes:** to calibrate the temperature, pls ensure the heater is already working for more than 30 minutes.

## WIFI CONFIGURATION AND VIDEO TUTORIALS

For up-to-date information please visit the website or scan the QR code below.



[bvfheating.com/nybro](http://bvfheating.com/nybro)

## CLEANING AND MAINTENANCE

- Switch off and unplug from the power supply before cleaning.
- Using a soft, moist cloth, with or without a mild soap solution, carefully clean the exterior surface of the product.
- CAUTION: Allow the product to completely cool before handling or cleaning it.
- Do not allow water or other liquids to run into the interior of the product, as this could create a fire and/or electrical hazard.
- We also recommend the periodic cleaning of this appliance by lightly running a vacuum cleaner nozzle over the guards to remove any dust or dirt that may have accumulated inside or on the unit.
- CAUTION: Do not use harsh detergents, chemical cleaners or solvents as they may damage the surface finish of the plastic components.



This marking indicates that this product should not be disposed with other household wastes throughout the EU. To prevent possible harm to the environment or human health from uncontrolled waste disposal, recycle it responsibly to promote the sustainable reuse of material resources. To return your used device, please use the return and collection systems or contact the retailer where the product was purchased. They can take this product for environmental safe recycling.

Table 1

## Information requirements for electric local space heaters

Model identifier(s): BVF-NYBRO500					
Item	Sym- bol	Value	Unit	Item	Unit
<b>Heat output</b>				<b>Type of heat input, for electric storage local space heaters only</b>	
Nominal heat output	P <sub>nom</sub>	0.5	kW	Manual heat charge control with integrated thermostat	No
Minimum heat output (indicative)	P <sub>min</sub>	0.5	kW	Manual heat charge control with room and/or outdoor temperature feedback	No
Maximum continuous heat output	P <sub>max,c</sub>	0.5	kW	Electronic heat charge control with room and/or outdoor temperature feedback	No
<b>Auxiliary electricity consumption</b>				Fan assisted heat output	
At nominal heat output	eI <sub>max</sub>	NA	kW	<b>Type of heat output/room temperature control</b>	
At minimum heat output	eI <sub>min</sub>	NA	kW	Single stage heat output, no room temperature control	No
In standby mode	eI <sub>SB</sub>	0.00061	kW	Two or more manual stages, no room temperature control	No
				With mechanic thermostat room temperature control	No
<b>Model identifier(s): BVF-NYBRO1000</b>				With electronic room temperature control	
Item	Sym- bol	Value	Unit	With electronic room temperature control plus day timer	No
<b>Heat output</b>				With electronic room temperature control plus week timer	Yes
Nominal heat output	P <sub>nom</sub>	1.0	kW	<b>Other control options</b>	
Minimum heat output (indicative)	P <sub>min</sub>	1.0	kW	Room temperature control, with presence detection	No
Maximum continuous heat output	P <sub>max,c</sub>	1.0	kW	Room temperature control, with open window detection	Yes
<b>Auxiliary electricity consumption</b>				with distance control option	Yes
At nominal heat output	eI <sub>max</sub>	NA	kW	with adaptive start control	No
At minimum heat output	eI <sub>min</sub>	NA	kW	with working time limitation	No
In standby mode	eI <sub>SB</sub>	0.00061	kW	with black bulb sensor	No
Contact details					

Table 1

## Information requirements for electric local space heaters

Model identifier(s): BVF-NYBRO1500					
Item	Sym- bol	Value	Unit	Item	Unit
<b>Heat output</b>				<b>Type of heat input, for electric storage local space heaters only</b>	
Nominal heat output	P <sub>nom</sub>	1.5	kW	Manual heat charge control with integrated thermostat	No
Minimum heat output (indicative)	P <sub>min</sub>	1.5	kW	Manual heat charge control with room and/or outdoor temperature feedback	No
Maximum continuous heat output	P <sub>max,c</sub>	1.5	kW	Electronic heat charge control with room and/or outdoor temperature feedback	No
<b>Auxiliary electricity consumption</b>				Fan assisted heat output	
At nominal heat output	eI <sub>max</sub>	NA	kW	<b>Type of heat output/room temperature control</b>	
At minimum heat output	eI <sub>min</sub>	NA	kW	Single stage heat output, no room temperature control	No
In standby mode	eI <sub>SB</sub>	0.00061	kW	Two or more manual stages, no room temperature control	No
				With mechanic thermostat room temperature control	No
<b>Model identifier(s): BVF-NYBRO1000</b>				With electronic room temperature control	
Item	Sym- bol	Value	Unit	With electronic room temperature control plus day timer	No
<b>Heat output</b>				With electronic room temperature control plus week timer	Yes
Nominal heat output	P <sub>nom</sub>	2.0	kW	<b>Other control options</b>	
Minimum heat output (indicative)	P <sub>min</sub>	2.0	kW	Room temperature control, with presence detection	No
Maximum continuous heat output	P <sub>max,c</sub>	2.0	kW	Room temperature control, with open window detection	Yes
<b>Auxiliary electricity consumption</b>				with distance control option	Yes
At nominal heat output	eI <sub>max</sub>	NA	kW	with adaptive start control	No
At minimum heat output	eI <sub>min</sub>	NA	kW	with working time limitation	No
In standby mode	eI <sub>SB</sub>	0.00061	kW	with black bulb sensor	No
Contact details					

**NYBROPANELS.COM**

**BVF** Heating  
Solutions

**bvfheating.com**



This product is only suitable for well insulated spaces or occasional use.